

SCAG[®]

POWER EQUIPMENT

MODEL TS

ACCESSORY FOR:

STT - ALL MODELS

STC - MODELS ABOVE SERIAL NUMBER 7630001



THIS MANUAL CONTAINS THE OPERATING INSTRUCTIONS AND SAFETY INFORMATION FOR YOUR SCAG ACCESSORY. READING THIS MANUAL WILL PROVIDE YOU WITH MAINTENANCE AND ADJUSTMENT PROCEDURES TO KEEP YOUR ACCESSORY PERFORMING TO MAXIMUM EFFICIENCY. THE SPECIFIC MODELS THAT THIS BOOK COVERS ARE CONTAINED ON THE INSIDE COVER. BEFORE OPERATING YOUR MACHINE, PLEASE READ ALL THE INFORMATION ENCLOSED.

© 2004
SCAG POWER EQUIPMENT
DIVISION OF METALCRAFT OF MAYVILLE, INC
WWW.SCAG.COM

PART NO. 03158
PRINTED 8-2004
PRINTED IN USA

OPERATOR'S MANUAL



WARNING

FAILURE TO FOLLOW SAFE OPERATING PRACTICES MAY RESULT IN SERIOUS INJURY.

- * Keep all safety shields in place.
- * Before performing any maintenance or service, stop the machine and remove the spark plug wire.
- * If a mechanism becomes clogged, stop the engine and wait for all moving parts to come to a complete halt before cleaning.
- * Keep hands, feet and clothing away from power-driven parts.
- * Read this manual completely as well as the Operator's Manual that came with your mower.
- * Keep others off the tractor (only one person at a time).

REMEMBER - YOUR MOWER IS ONLY AS SAFE AS THE OPERATOR!

Hazard control and accident prevention are dependent upon the awareness, concern, prudence, and proper training of the personnel involved in the operation, transport, maintenance, and storage of the equipment.

This manual covers the operating instructions
and illustrated parts list for:

TS with a part number of 9269

1.1 INTRODUCTION

This manual has been prepared to provide the information you need to correctly assemble, operate, and maintain this Tiger Striper. Read it carefully and keep it for future reference.

The replacement of any part on this product by other than the manufacturer's authorized replacement part may adversely affect the performance, durability or safety of this product.

USE OF OTHER THAN ORIGINAL SCAG REPLACEMENT PARTS WILL VOID THE WARRANTY.

If additional information or service is needed that is not outlined in this manual, please contact your Scag Power Equipment dealer. Scag dealers are trained in the latest service methods and carry a full line of Scag replacement parts.

When ordering parts, always provide the complete model of this Tiger Striper.

All information provided in this manual is based upon information available at the time of printing. Scag Power Equipment reserves the right to make changes at any time without notice or obligation.

1.2 DIRECTION REFERENCE

The "Right" and "Left", "Front" and "Rear" of the machine are referenced from the normal operating position.

2.1 SAFETY INFORMATION

-NOTE-

To avoid personal injury, it is imperative that all safety instructions be observed.

1. **Read this operator's manual and the operator's manual that is supplied with the machine this attachment is used on.**

A replacement manual is available from your authorized Scag Service Dealer or by contacting: Scag Power Equipment, Service Department at P.O. Box 152, Mayville, WI 53050. You may also contact us through our website at www.scag.com. Please indicate the complete model number of your Scag product when ordering a replacement manual.

2. Before removing the Tiger Striper, disengage the mower, stop the engine and wait for all movement to stop.
3. **ALWAYS** turn the engine **OFF**, remove the key and wait for all movement to stop before servicing, cleaning or removing the Tiger Striper.
4. Do not modify or alter any component of the Tiger Striper attachment or mower.
5. Do not allow any passengers to ride on the mower.

2.2 OPERATING INSTRUCTIONS

To operate the Tiger Striper, you will need to lower the roller to the operating position. The Tiger Striper can be easily removed or locked in the transport position whenever the machine is being transported or when striping is not needed.

1. To unlock the Tiger Striper from the transport position, lift up slightly on the handle and turn the lock pin until the small roll pin lines up with the slot. See Figure 2-1 on page 2.

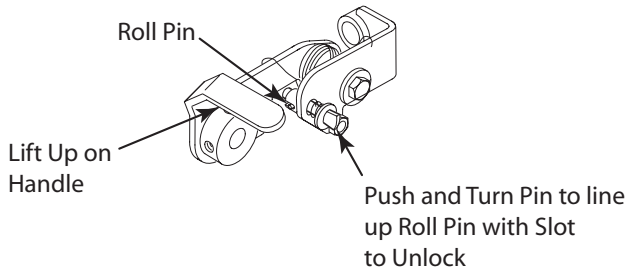


FIGURE 2-1

2. Repeat this procedure on the opposite side.

The machine is now ready to operate.

2.3 REMOVING THE TIGER STRIPER

The Tiger Striper can be easily removed whenever the machine is being transported or when striping is not needed. To remove the Tiger Striper, follow the instructions below.

1. Prepare the machine so there is easy and safe access to the work area. Remove the key and maintain all safety related work procedures. Always wear eye and hand protection.
2. Lock the Tiger Striper up in the transport position by lifting upward on the handle, push and turn the lock pin 90 degrees. The small roll pin must be out of the slot in the bracket to lock in the transport position. See Figure 2-2.

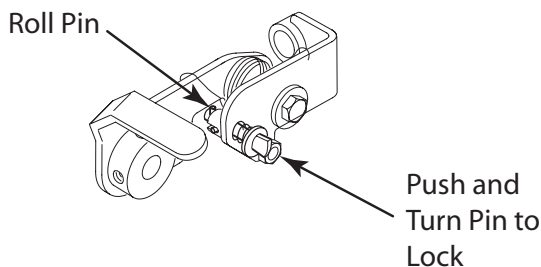


FIGURE 2-2

3. Repeat on opposite side.
4. Once the Tiger Striper is locked in the transport position, remove the quick pins securing the Tiger Striper to the mounting brackets. See Figure 2-3

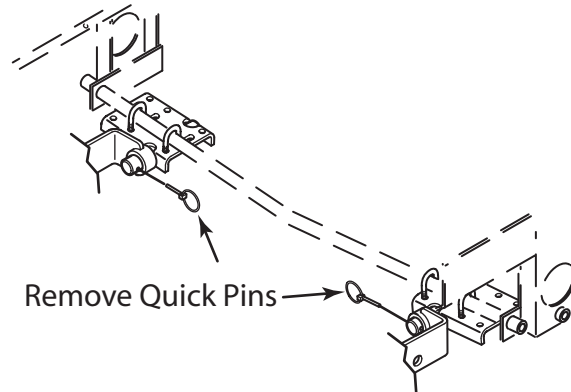


FIGURE 2-3

5. Slide the Tiger Striper off of the mounting brackets.
6. To install the Tiger Striper, slide the assembly on to the mounting brackets and reinstall the quick pins. Once the Tiger Striper has been reinstalled, follow Section 2.2 Operating Instructions for proper operation.

3.1 ASSEMBLY INSTRUCTIONS - STT

-NOTE-

Use the illustrated parts list as a part number reference when following the assembly instructions.

1. Remove all packaging materials. Lay out the mounting hardware and the Tiger Striper assembly for easy access.
2. Prepare the machine so there is easy and safe access to the work area. Remove the key and maintain all safety related work procedures. Always wear eye and hand protection.

3. Attach the mounting brackets to the cross bar between the wheel motor brackets using (4) u-bolts and (8) serrated flange nuts. See Figure 3-1. Do not tighten the hardware.

-NOTE-

If the Tiger Striper is installed on an STT with a serial number below 7219999, part number 423966 mounting spacer will need to be installed between the mounting bracket and cross bar. See Figure 3-1.

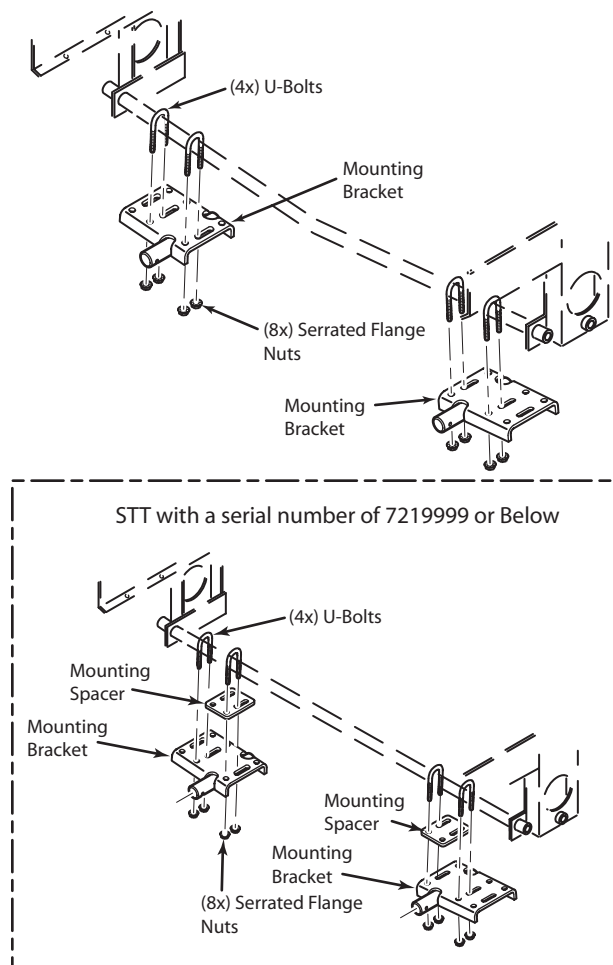


FIGURE 3-1

4. The edge of the mounting bracket should be under the wheel motor mounting plate for proper installation. See Figure 3-1.

5. Install the left and right hand Striper Stop Brackets (p/n 423953 & p/n 423954) to the frame and secure with (4) 3/8-16 x 1" bolts and (4) elastic stop nuts. See Figure 3-2.

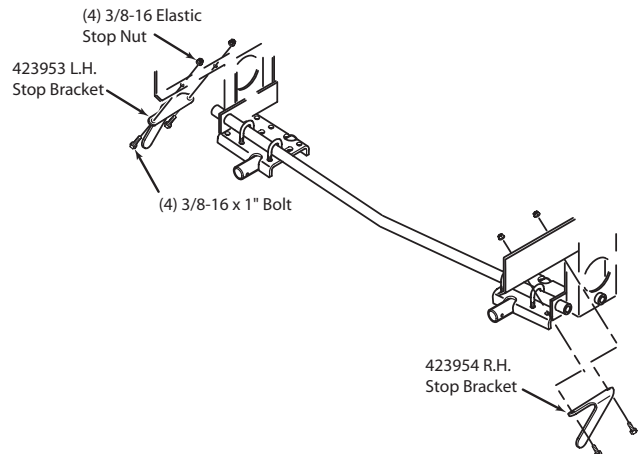


FIGURE 3-2

6. Install the Tiger Striper roller assembly to the mounting brackets and secure with the quick pins.
7. Once the Tiger Striper roller assembly is installed and secure, tighten the mounting hardware on both mounting brackets.
8. Follow Section 2.2 Operating Instruction for proper operation.

3.2 ASSEMBLY INSTRUCTIONS - STC

-NOTE-

Use the illustrated parts list as a part number reference when following the assembly instructions.

1. Remove all packaging materials. Lay out the mounting hardware and the Tiger Striper assembly for easy access.
2. Prepare the machine so there is easy and safe access to the work area. Remove the key and maintain all safety related work procedures. Always wear eye and hand protection.

3. Attach the mounting brackets to the cross bar between the wheel motor brackets using (4) u-bolts and (8) serrated flange nuts. See Figure 3-3. Do not tighten the hardware.

-Note-

The Tiger Striper cannot be installed on an STC with a serial number below 7630001.

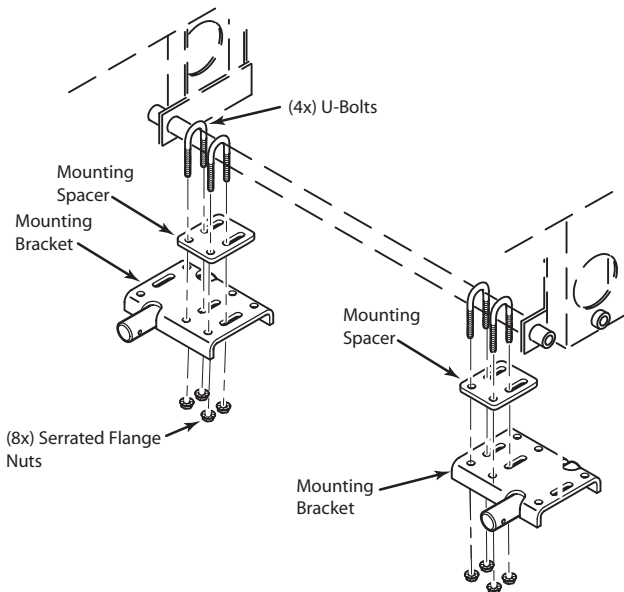


FIGURE 3-3

4. The edge of the mounting bracket should be under the wheel motor mounting plate for proper installation. See Figure 3-3.
5. Install the Tiger Striper roller assembly to the mounting brackets and secure with the quick pins.
6. Once the Tiger Striper roller assembly is installed and secure, tighten the mounting hardware on both mounting brackets.
7. Follow Section 2.2 Operating Instruction for proper operation.

4.1 LAWN STRIPING

HOW DOES LAWN STRIPING WORK?

The “stripe” that you see on the lawn is actually light reflecting off the blades of grass. The direction in which the grass is bent determines the “light” or “dark” stripe. When the blades of grass are bent away from you, the grass appears lighter in color because light is reflecting off of the length of the blade. When the blades of grass are bent towards you, the stripe appears darker as you are looking at more of the tips of the blades (a smaller reflective surface) and the shadows under the blades of grass. Cutting a lawn in the up/down, north/south, east/west, opposing directions provides the best stripe effect.

You may find that certain grasses have a more noticeable stripe (stripe easier) than others. Cutting the grass at a different height can sometimes change the intensity of the stripe. A slightly higher cut (example: 3" versus 2.5") can provide more grass to be bent over, thus producing a more noticeable stripe. In some types of grass, this may have the opposite or no effect.

Grass that tends to be "stiff" and resists bending will not yield a stripe as well as a softer grass that bends easily.

Note that you do not need to cut the grass in order to stripe it. The roller simply needs to be in the unlocked/engaged position. You may find that when creating more advanced, overlapping striping patterns, you can complete the job faster by applying the overlaying stripes without the blades engaged.

Striping can be used to draw attention to particular landscape features. It can be used to further enhance the finished, manicured cut that your Scag mower delivers.

LAWN STRIPING GUIDELINES

A stripe pattern can add richness and depth to any lawn. Here are some guidelines to help produce various patterns and to enhance your striping techniques.

Basic stripe pattern:

Begin by mowing the perimeter around the property (Reference Figure 4-1). Next, mow in opposing directions through the remaining property (as shown in Figure 4-1). Take care when turning at the end of each row to prevent turf damage. A simple "Y" type turn at the end of each row will reduce the chance of turf damage while setting the mower up for the next row to be mowed.

Finish the job by mowing the perimeter again. This will remove any stripe pattern irregularities left from turning at the end of each row and delivers a finished look.

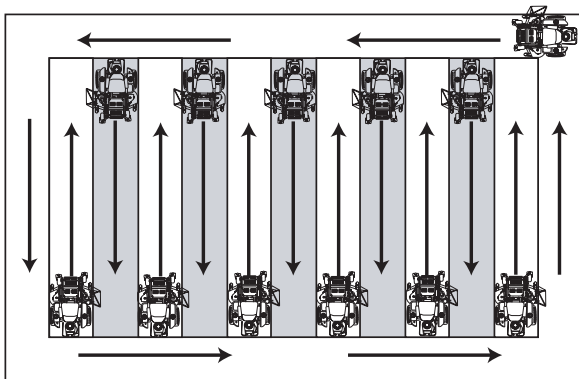


FIGURE 4-1

"Checkerboard" pattern:

Begin by mowing the perimeter around the property (Reference Figure 4-1). Next, mow in opposing directions (North and South or East and West) through the remaining portion of the property (as shown in Figure 4-1). Take care when turning at the end of each row to prevent turf damage. A simple "Y" type turn at the end of each row will reduce the chance of turf damage while setting the mower up for the next row to be mowed.

Now, travel in the opposite direction of the original mowing pattern (if you were mowing North and South, now mow East and West, etc). Reference Figure 4-2.

Finish the job by mowing the perimeter again. This will remove any stripe pattern irregularities left from turning at the end of each row and delivers a finished look.

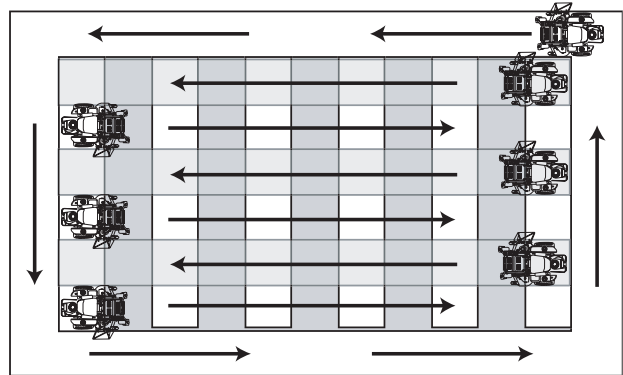


FIGURE 4-2

"Diagonal or Criss-Cross" pattern:

This pattern is achieved using the same techniques as the "Checkerboard" pattern. Simply apply the stripes in a diagonal direction. See Figure 4-3.

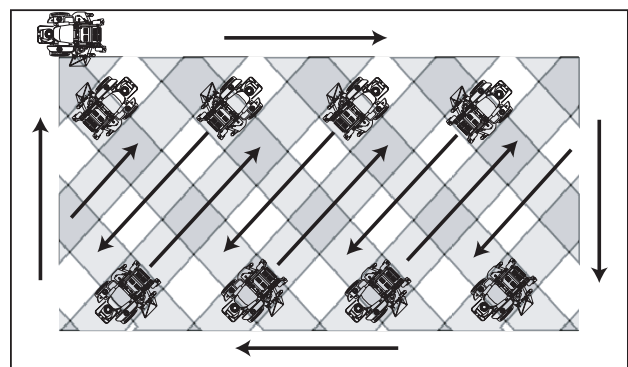
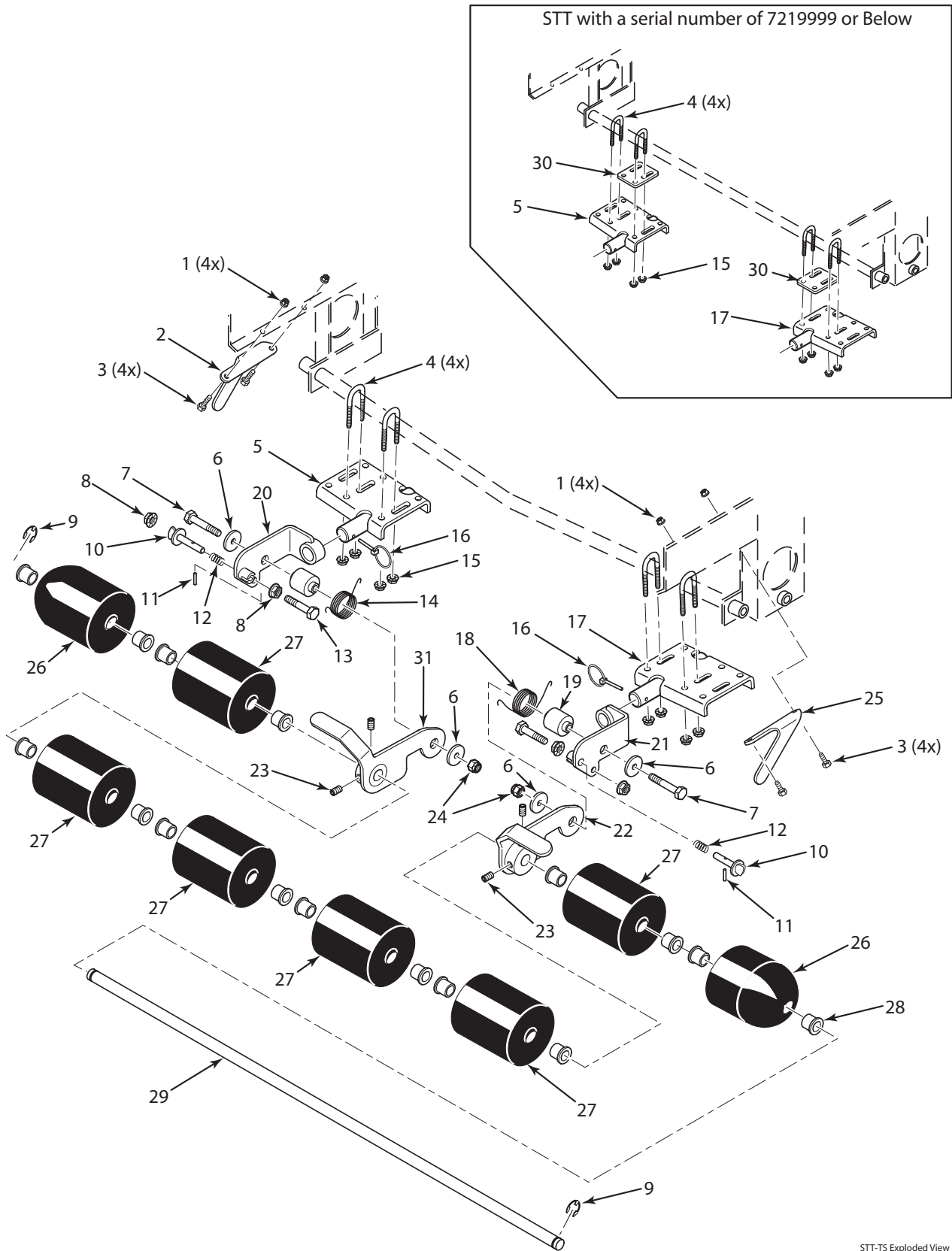


FIGURE 4-3

TIGER STRIPER ASSEMBLY - STT

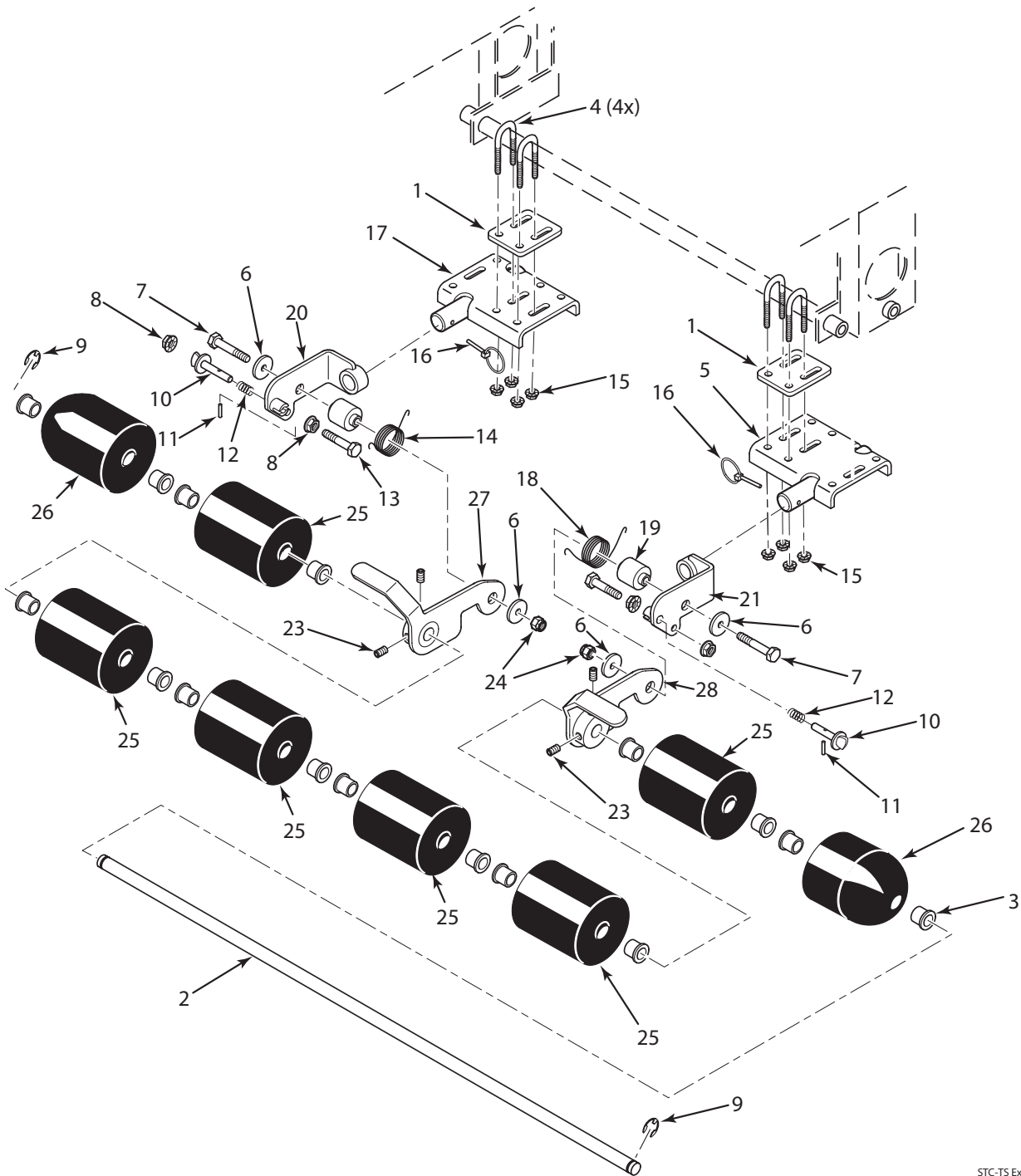


STT-TS Exploded View

TIGER STRIPER ASSEMBLY - STT

Ref. No.	Part Number	Description
1	04021-09	Nut, Elastic Stop 3/8-16
2	423953	Striper Stop, L.H.
3	04001-19	Bolt, Hex Head 3/8-16 x 1"
4	04100-01	U-Bolt, 5/16-18 x 1"
5	451660	Mounting Bracket Weldment, LH.
6	04041-11	Flatwasher, 3/8-.406 x 1-1/2" 7 Gauge
7	04001-22	Bolt, Hex Head 3/8-16 x 2-3/4"
8	04019-04	Nut, Serrated Flange 3/8-16
9	04050-02	Retaining Ring, .750 External "E"
10	461777	Pin, Lift Latch
11	04060-01	Pin, Slotted Spring .156 x 3/4"
12	482896	Spring, Lock Pin
13	04001-31	Bolt, Hex Head 3/8-16 x 2-1/2"
14	482894	Spring, Torsion L.H.
15	04019-03	Nut, Serrated Flange 5/16-18
16	04066-02	Quick Pin, .188 Dia.
17	451661	Mounting Bracket Weldment, R.H.
18	482895	Spring, Torsion R.H.
19	43648	Hub, Striper
20	451669	Pivot Weldment, L.H.
21	451670	Pivot Weldment, R.H.
22	451667	Hinge Weldment, L.H.
23	04012-06	Set Screw, 3/8-16 x 1/2"
24	04021-09	Nut, Elastic Stop 3/8-16
25	423954	Striper Stop, R.H.
26	461730	Roller Assembly, Striper End (Incl. Item 3)
27	461707	Roller Assembly (Incl. Item 28)
28	48100-24	Bushing, .752 Oilite
29	43653	Roller Shaft
30	423966	Spacer, Striper Mounting
31	451668	Hinge Weldment, R.H.

TIGER STRIPER ASSEMBLY - STC



STC-TS Exploded View

TIGER STRIPER ASSEMBLY - STC

Ref. No.	Part Number	Description
1	423966	Spacer, Striper Mounting
2	43653	Roller Shaft
3	48100-24	Bushing, .752 Oilite
4	04100-01	U-Bolt, 5/16-18 x 1"
5	451660	Mounting Bracket Weldment, LH. **L.H. Mounting Bracket is used on the Right Side on STC
6	04041-11	Flatwasher, 3/8-.406 x 1-1/2" 7 Gauge
7	04001-22	Bolt, Hex Head 3/8-16 x 2-3/4"
8	04019-04	Nut, Serrated Flange 3/8-16
9	04050-02	Retaining Ring, .750 External "E"
10	461777	Pin, Lift Latch
11	04060-01	Pin, Slotted Spring .156 x 3/4"
12	482896	Spring, Lock Pin
13	04001-31	Bolt, Hex Head 3/8-16 x 2-1/2"
14	482894	Spring, Torsion L.H.
15	04019-03	Nut, Serrated Flange 5/16-18
16	04066-02	Quick Pin, .188 Dia.
17	451661	Mounting Bracket Weldment, R.H. **R.H. Mounting Bracket is used on the Left Side on STC
18	482895	Spring, Torsion R.H.
19	43648	Hub, Striper
20	451669	Pivot Weldment, L.H.
21	451670	Pivot Weldment, R.H.
22	451667	Hinge Weldment, R.H.
23	04012-06	Set Screw, 3/8-16 x 1/2"
24	04021-09	Nut, Elastic Stop 3/8-16
25	461707	Roller Assembly (Incl. Item 3)
26	461730	Roller Assembly, Striper End (Incl. Item 3)
27	451668	Hinge Weldment, L.H.

NOTES

LIMITED WARRANTY- COMMERCIAL ACCESSORY

Any part of the Scag commercial accessory manufactured by Scag and found, in the reasonable judgment of Scag, to be defective in material or workmanship, will be repaired or replaced by an Authorized Scag Service Dealer without charge for parts and labor.

The Scag accessory, including any defective part, must be returned to an Authorized Scag Service Dealer within the warranty period. The expense of delivering the accessory to the dealer for warranty work and the expense of returning it back to the owner after repair or replacement will be paid for by the owner. Scag's responsibility in respect to claims is limited to making the required repairs or replacements, and no claim of breach of warranty shall be cause for cancellation or rescission of the contract of sale of any Scag machine. Proof of purchase will be required by the dealer to substantiate any warranty claim. All warranty work must be performed by an Authorized Scag Service Dealer.

This warranty is limited to 90 days from the date of original retail purchase for any Scag accessory that is used for commercial purposes, or any other income-producing purpose including rental use.

This warranty does not cover any accessory that has been subject to misuse, neglect, negligence, or accident, or that has been operated in any way contrary to the operating instructions as specified in the Operator's Manual. The warranty does not apply to any damage to the accessory that is the result of improper maintenance, or to any accessory or parts that have not been assembled or installed as specified in the Operator's Manual.

The warranty does not cover any accessory that has been altered or modified. In addition, the warranty does not extend to repairs made necessary by normal wear, or by the use of parts or accessories which, in the reasonable judgment of Scag, are either incompatible with the Scag mower or adversely affect its operation, performance or durability. This warranty does not cover engines and electric starters, which are warranted separately by their manufacturer.

Scag Power Equipment reserves the right to change or improve the design of any accessory without assuming any obligation to modify any accessory previously manufactured.

All other implied warranties are limited in duration to the 90 day warranty period. Accordingly, any such implied warranties including merchantability, fitness for a particular purpose, or otherwise, are disclaimed in their entirety after the expiration of the appropriate ninety day warranty period. Scag's obligation under this warranty is strictly and exclusively limited to the repair or replacement of defective parts and Scag does not assume or authorize anyone to assume any other obligation for them. Some states do not allow limitations on how long an implied warranty lasts, so the above limitation may not apply to you.

Scag assumes no responsibility for incidental, consequential or other damages including, but not limited to, expense for gasoline, oil, expense of delivering the machine to an Authorized Scag Service Dealer and expense of returning it back to the owner, mechanic's travel time, telephone or telegram charges, rental of a like product during the time warranty repairs are being performed, travel, loss or damage to personal property, loss of revenue, loss of use of the mower, loss of time, or inconvenience. Some states do not allow the exclusion or limitation of incidental or consequential damages, so the above limitation or exclusion may not apply to you.

This warranty gives you specific legal rights, and you may also have other rights which vary from state to state.

© 2004
SCAG POWER EQUIPMENT
DIVISION OF METALCRAFT OF MAYVILLE, INC
WWW.SCAG.COM

PART NO. 03158
PRINTED 8-2004
PRINTED IN USA